



PELLET
STOVES & INSERTS

Enviro

HEARTH PRODUCTS



Designed to heat. Built to Last.

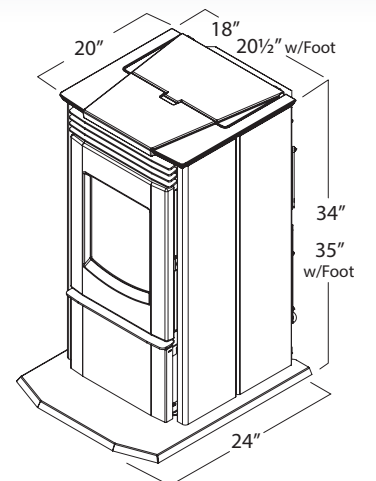
For over 30 years, unsurpassed quality and craftsmanship have made us an industry leader in innovative heating systems. Design, functionality, and efficiency merge to create exceptional products that will exceed all expectations. Whether time-honored traditional or bold and modern, our dynamic range of products will compliment any home décor. With a complete line of fireplace inserts, freestanding stoves, and multi-fuel heaters, we have the perfect solution for your heating requirements. We won't just meet your expectations; we'll exceed them...

Design Features

- LED digital controls
- "Comfort level" control system
- "Run Quiet" system
- Large viewing area (130 in²)
- Large ash pan
- Comes standard with ignitor
- Tri-mode enabled thermostat
- Heavy duty heat exchanger
- 130 CFM variable speed fan
- Painted black side panels - standard
- Optional enameled side panels
 - Racing Red
 - Antique Ivory

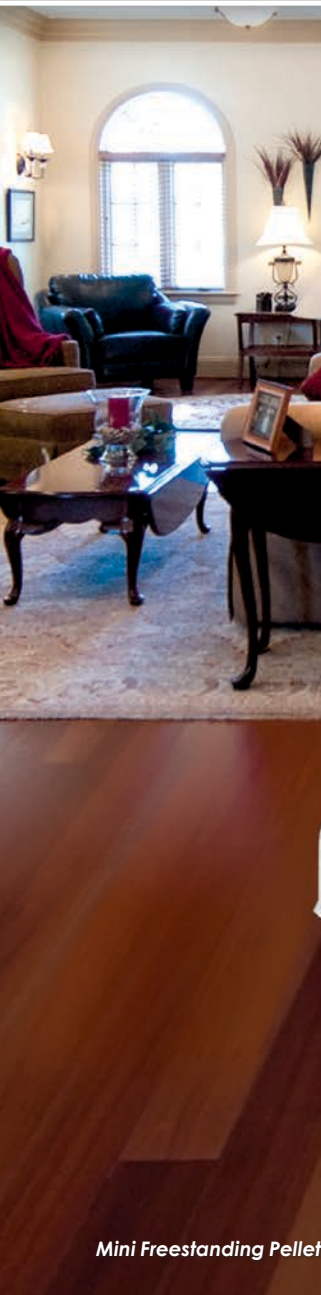
Stove Details

BTU Max Input	30,000 BTU/hr		
Heating Area	1,200 ft ²		
Efficiency	66.2%		
Glass Size	130 in ²		
EPA Emissions	0.48 g/hr		
Hopper Capacity	55 lbs		
Stove Dimensions	HEIGHT 34"	WIDTH 20½"	DEPTH 24"



P3 Freestanding Pellet Stove, Racing Red Side Panels





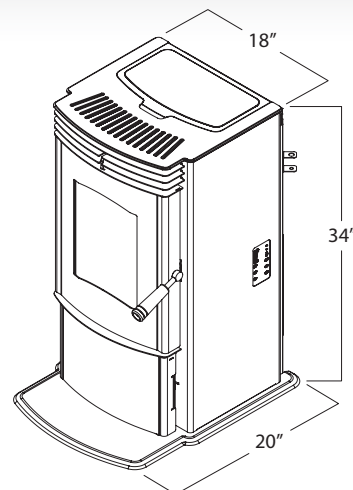
Mini Freestanding Pellet Stove

Design Features

- Automatic controls
- "Run Quiet" system
- Large viewing area (130 in²)
- Large ash pan
- Comes with a bolt-on hearth pad
- Comes standard with ignitor
- Tri-mode enabled thermostat
- Large heat exchanger
- Leveling Legs
- 130 CFM variable speed fan

Stove Details

BTU Max Input	30,000 BTU/hr		
Heating Area	1,200 ft ²		
Efficiency	66.2%		
Glass Size	130 in ²		
EPA Emissions	0.48 g/hr		
Hopper Capacity	48 lbs		
Stove Dimensions	HEIGHT 34"	WIDTH 18"	DEPTH 20"



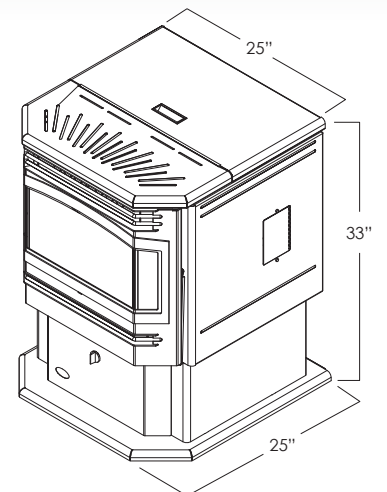
Meridian Freestanding Pellet Stove. Optional Log Set

Design Features

- Large glass size (185 in²)
- Large arched bay door
- Tri-mode enabled thermostat
- Remote thermostat compatible
- Large heat exchanger
- Large, full -pedestal ash pan
- 160 CFM variable speed fan
- Optional log set
- Door and louver trim options
 - Painted Metallic Black, Standard
 - Antique Copper
 - Gold
 - Pewter

Stove Details

BTU Max Input	45,000 BTU/hr		
Heating Area	2,000 ft ²		
Efficiency	69.7%		
Glass Size	185 in ²		
EPA Emissions	0.89 g/hr		
Hopper Capacity	55 lbs		
Stove Dimensions	HEIGHT 33"	WIDTH 25"	DEPTH 25"





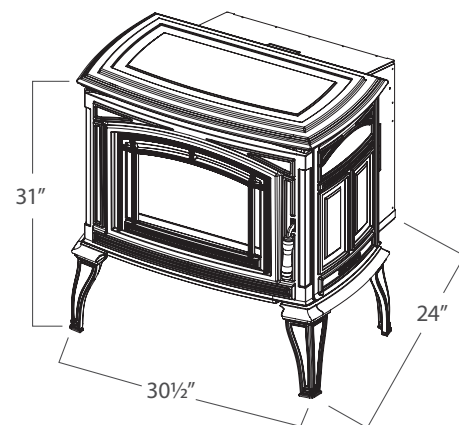
Meridian Freestanding Pellet Stove, Optional Log Set

Design Features

- Cast iron construction
- Tri-mode enabled thermostat
- Remote thermostat compatible
- Large heat exchanger
- 160 CFM variable speed fan
- Large Hopper
- Walnut Handle
- Optional log set

Stove Details

BTU Max Input	45,000 BTU/hr		
Heating Area	2,000 ft ²		
Efficiency	69.7%		
Glass Size	138 in ²		
EPA Emissions	0.89 g/hr		
Hopper Capacity	51 lbs		
Stove Dimensions	HEIGHT 31"	WIDTH 30½"	DEPTH 24"



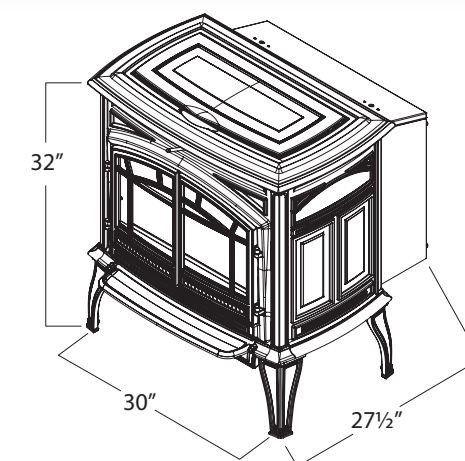
M55 Cast Iron Freestanding Multi-Fuel Pellet Stove, Painted Black

Design Features

- Cast iron construction
- Tri-mode enabled thermostat
- Large glass size (231 in²)
- Large hopper capacity (60 lbs)
- Optional brick liner
- Optional log set
- 300 CFM variable speed fan
- Operates with cast doors open or closed
- Available in Painted Black

Stove Details

BTU Max Input	55,000 BTU/hr		
Heating Area	2,500 ft ²		
Efficiency	60.3%		
Glass Size	231 in ²		
EPA Emissions	1.82 g/hr		
Hopper Capacity	60 lbs		
Stove Dimensions	HEIGHT 32"	WIDTH 30"	DEPTH 27½"





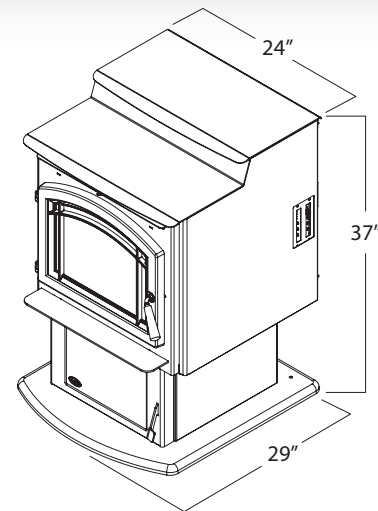
M55 Steel Freestanding Multi-Fuel Pellet Stove

Design Features

- Large Glass Size (169 in²)
- Huge 80 lbs hopper capacity
- Fluted cast iron firebox liner
- Remote thermostat compatible
- Tri-mode enabled thermostat
- Large, full-pedestal ash pan
- Optional brick liner
- Optional log set
- Optional wooden door handle
- Optional hopper extension kit (120lbs)
- 300 CFM variable speed fan

Stove Details

BTU Max Input	55,000 BTU/hr		
Heating Area	2,500 ft ²		
Efficiency	60.3%		
Glass Size	169 in ²		
EPA Emissions	1.82 g/hr		
Hopper Capacity	80 lbs		
Stove Dimensions	HEIGHT 37"	WIDTH 24"	DEPTH 29"



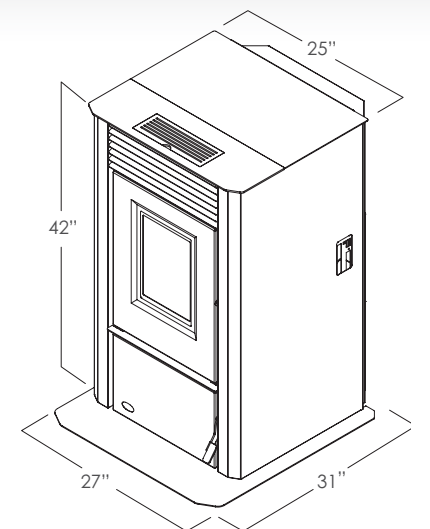
MAXX Freestanding Pellet Stove

Design Features

- Tri-mode operating system
- Large 1,320 in² heat exchanger
- Dual chamber ash pan removal
- Automatic controls
- Remote thermostat compatible
- Massive 130 lbs hopper capacity
- Tri-mod enabled thermostat
- 455 CFM variable speed fan

Stove Details

BTU Max Input	60,000 BTU/hr		
Heating Area	2,700 ft ²		
Efficiency	77.4%		
Glass Size	117 in ²		
EPA Emissions	1.87 g/hr		
Hopper Capacity	130 lbs		
Stove Dimensions	HEIGHT 42"	WIDTH 27"	DEPTH 31"



Freestanding Performance Specifications

ATTRIBUTES	P3	MINI	MERIDIAN STEEL	MERIDIAN CAST IRON	M55 CAST IRON	M55 STEEL	MAXX
BTU Max Input	30,000	30,000	45,000	45,000	55,000	55,000	60,000
Heating Area	1,200 ft ²	1,200 ft ²	2,000 ft ²	2,000 ft ²	2,500 ft ²	2,500 ft ²	2,700 ft ²
Efficiency	66.2%	66.2%	69.7%	69.7%	60.3%	60.3%	77.4%
Glass Size	130 in ²	130 in ²	185 in ²	138 in ²	231 in ²	169 in ²	117 in ²
EPA Emissions	0.48 g/hr	0.48 g/hr	0.89 g/hr	0.89 g/hr	1.82 g/hr	1.82 g/hr	1.87 g/hr
Hopper Capacity	55 lbs	48 lbs	55 lbs	51 lbs	60 lbs	80 lbs	130 lbs
Convection Fan	130 CFM	130 CFM	160 CFM	160 CFM	300 CFM	300 CFM	455 CFM

Stove Dimensions*

ATTRIBUTES	P3	MINI	MERIDIAN STEEL	MERIDIAN CAST IRON	M55 CAST IRON	M55 STEEL	MAXX
Stove Height	34"	34"	33"	31"	32"	37"	42"
Stove Width	20½"	18"	25"	30½"	30"	24"	27"
Stove Depth	24"	20"	25"	24"	27½"	29"	31"

Clearance to Combustibles*

ATTRIBUTES	P3	MINI	MERIDIAN STEEL	MERIDIAN CAST IRON	M55 CAST IRON	M55 STEEL	MAXX
Min. distance to the stove's sides	8"	8"	6"	6"	6"	12"	12"
Min. distance behind the stove	4"	4"	3"	3"	3"	3"	4"
Min. alcove height	48"	48"	48"	48"	48"	48"	48"
Min. distance corner to wall	3"	3"	2"	2"	3"	3"	4"

* Refer to your owners manual for detailed measurements.



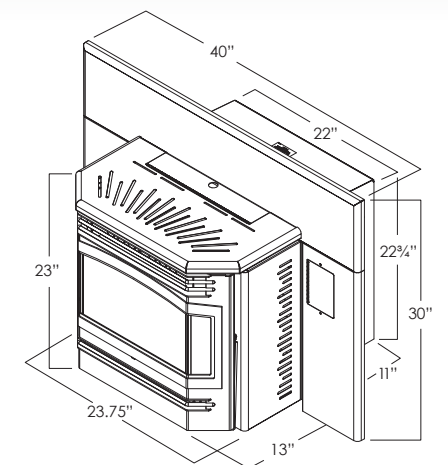
Meridian Pellet Fireplace Insert, Pewter Door, Pewter Trim, Standard Surround

Design Features

- Large arched bay door
- Remote control compatible
- Large heat exchanger
- Optional log set
- Tri-mode enabled thermostat
- 160 CFM variable speed fan
- Door and louver trim options
 - Painted Metallic Black, Standard
 - Antique Copper
 - Gold
 - Pewter

Fireplace Details

BTU Max Input	45,000 BTU/hr		
Heating Area	2,000 ft ²		
Efficiency	69.7%		
Glass Size	185 in ²		
EPA Emissions	0.89 g/hr		
Hopper Capacity	55 lbs		
Minimum Install Dims.	HEIGHT 22¾"	WIDTH 22"	DEPTH 11"





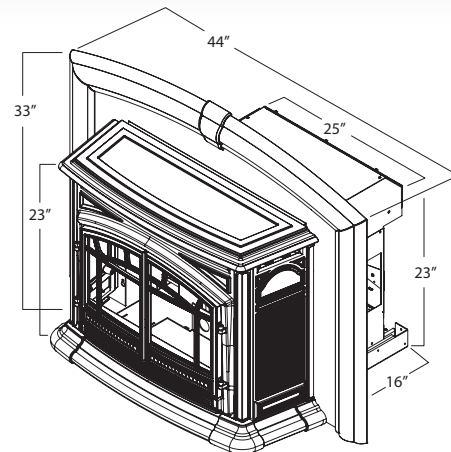
M55 Cast Iron Multi Fuel Fireplace Insert, Painted Black

Design Features

- Cast iron construction
- Large glass size (231 in²)
- Multi-fuel compatible
- Air wash system for cleaner glass
- 300 cfm variable speed fan
- Operates with cast doors open or closed
- Optional log set
- Optional service rail kit
- Available in Painted Black

Fireplace Details

BTU Max Input	55,000 BTU/hr		
Heating Area	2,500 ft ²		
Efficiency	60.3%		
Glass Size	231 in ²		
EPA Emissions	1.82 g/hr		
Hopper Capacity	60 lbs		
Min Install Dimensions	HEIGHT 23"	WIDTH 25"	DEPTH 16"



Fireplace Insert Performance Specifications

ATTRIBUTES	MERIDIAN	M55 CAST
BTU Max Input	45,000 BTU/hr	55,000 BTU/hr
Heating Area	2,000 ft ²	2,500 ft ²
Efficiency	69.7%	60.3%
Glass Size	185 in ²	231 in ²
EPA Emissions	0.89 g/hr	1.82 g/hr
Hopper Capacity	55 lbs	60 lbs
Convection Fan	160 CFM	200 CFM

Minimum Installation Dimensions*

ATTRIBUTES	MERIDIAN	M55 CAST
Height	22 ³ / ₄ "	23"
Width	22"	25"
Depth	11"	16"

Clearance to Combustibles*

ATTRIBUTES	MERIDIAN	M55 CAST
Center of unit to side wall	20"	24"
Bottom of unit to bottom of 12" mantle	29 ¹ / ₂ "	33"
Bottom to max. 3/4" combustible facing	8"	0"
Side of unit to side facing	8"	0"
Door to edge of floor protection	6"	6"
Side of unit to side of floor protection	6"	6"

* Refer to your owners manual for detailed measurements.

Freestanding Pellet Stoves

P3 | FREESTANDING PELLESTOVE



Mini | FREESTANDING PELLESTOVE



Meridian | FREESTANDING PELLESTOVE



Meridian | CAST IRON PELLESTOVE



M55 | CAST IRON MULTI-FUEL STOVE



M55 | FREESTANDING MULTI-FUEL STOVE



MAXX | FREESTANDING PELLESTOVE



Pellet Fireplace Inserts

Meridian | PELLESTOVE FIREPLACE INSERT



M55 | CAST IRON MULTI-FUEL INSERT



Learn more about our products at

enviro.com

- Detailed Product Lineup
- Model Photo Galleries
- Downloadable Manual PDF's
- Unit Comparison Charts
- Youtube Burn Example Videos
- Online Brochures
- Dealer Locator Tool



The best way to visualize
your dream fireplace at home
is with the Enviro App!



Manufactured by Sherwood Industries Ltd • Victoria, BC, Canada
enviro.com • info@enviro.com • Printed in Canada, October 2020



Please share and
recycle this brochure